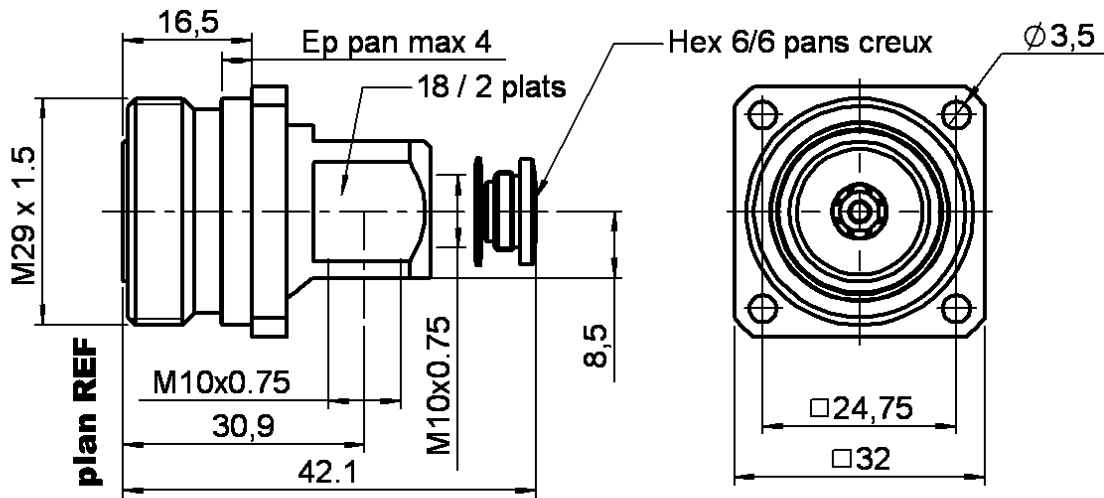


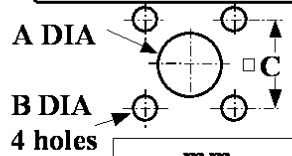
COAXI-KIT FLANGE JACK

R185.925.000

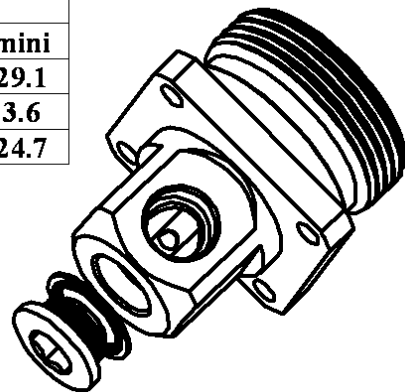
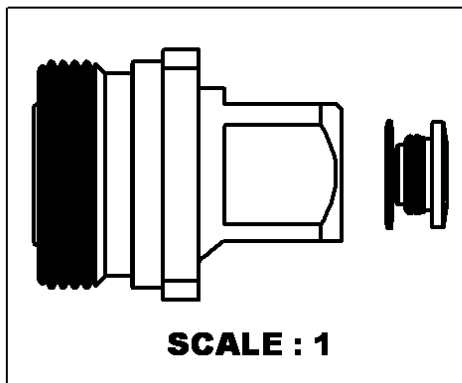
Series : 7-16



PANEL CUT OUT



	mm	
	Maxi	mini
A	29.2	29.1
B	3.7	3.6
C	24.8	24.7



All dimensions are in mm.

COMPONENTS	MATERIALS	PLATINGS (µm)
BODY	BRASS	BBR 0.5 OVER SILVER 3
CENTER CONTACT	BERYLLIUM COPPER	SILVER 5 OVER COPPER 0.5
OUTER CONTACT	BRASS	SILVER 5 OVER COPPER 0.5
INSULATOR	PTFE	
GASKET	-	
OTHERS PARTS	BRASS	BBR 2
.	.	.
.	.	.

Issue : 0213 D

In the effort to improve our products, we reserve the right to make changes judged to be necessary.



COAXI-KIT FLANGE JACK

R185.925.000

Series : 7-16

PACKAGING

Standard	Unit	Other
20	'W' option	Contact us

SPECIFICATION

ELECTRICAL CHARACTERISTICS

Impedance		50 Ω
Frequency		0-7.5 GHz
VSWR	* +	0.000 x F(GHz) Maxi
Insertion loss		NA √F(GHz) dB Maxi
RF leakage	- (- F(GHz)) dB Maxi
Voltage rating		1400 Veff Maxi
Dielectric withstanding voltage		2700 Veff mini
Insulation resistance		10000 MΩ mini

CABLE ASSEMBLY

Stripping	a	b	c	d	e	f
mm	0.00	0.00	0.00	0.00	0.00	0.00

Assembly instruction : **NA**

Recommended cable(s)

MECHANICAL CHARACTERISTICS

Center contact retention		
Axial force – Mating end		200 N mini
Axial force – Opposite end		100 N mini
Torque		2 N.cm mini

Cable retention

- pull off **NA** N mini
 - torque **NA** N.cm

TOOLING

Part Number	Description	Hexagon
.	.	.

Recommended torque		
Mating		NA N.cm
Panel nut		NA N.cm
Clamp nut		NA N.cm
A/F clamp nut		0.000 mm

Mating life		500 Cycles mini
Weight		123.080 g

OTHERS CHARACTERISTICS

*VSWR according to coaxi-kit tip used
 EZ Fit type for superflexible corrugated
 corrugated cable: DC 7.5GHz
 other models: DC=2.5GHz

ENVIRONMENTAL

Operating temperature		-55/+155 °C
Hermetic seal		NA Atm.cm3/s
Panel leakage		NA

Issue : 0213 D

In the effort to improve our products, we reserve the right to make changes judged to be necessary.

